
SINGLE PART INSTALLATION POSITION

CONTENTS

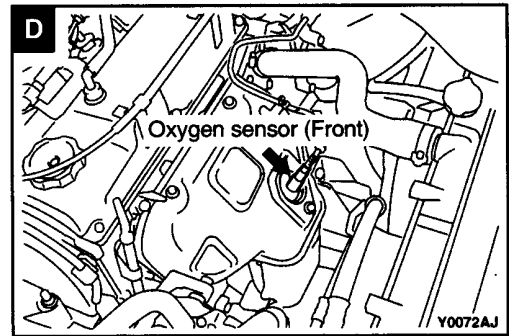
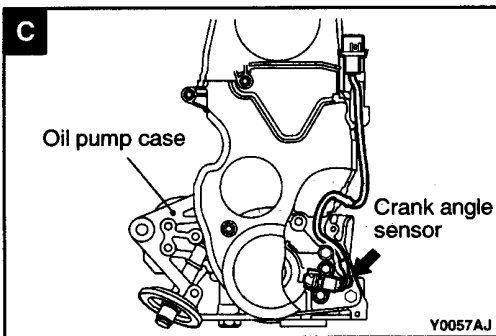
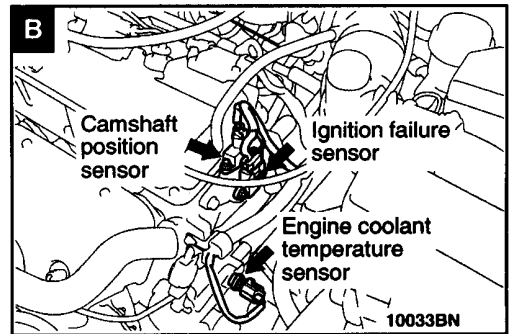
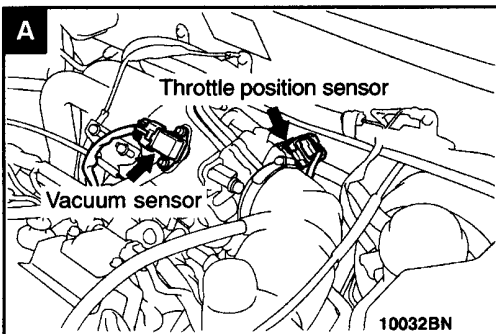
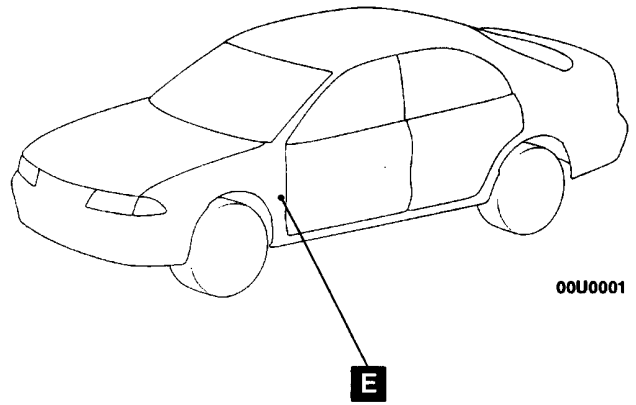
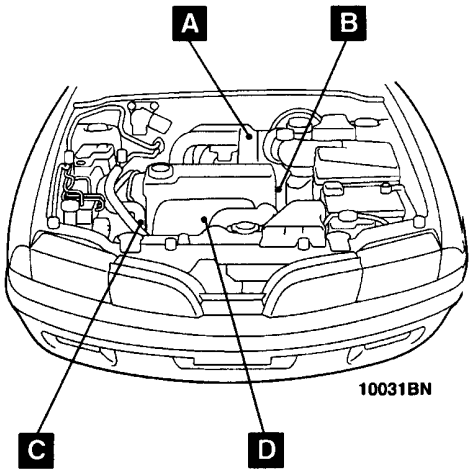
SENSOR	2	DIODE	3
SOLENOID VALVE	3		

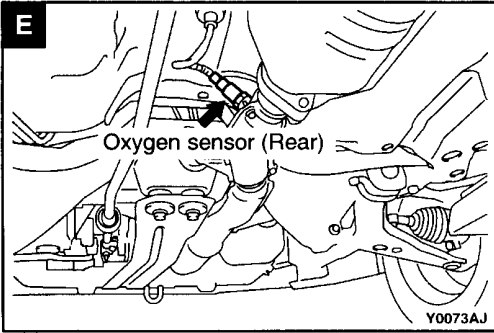


SENSOR

Name	Symbol	Name	Symbol
Camshaft position sensor <4G1>	B	Oxygen sensor (Front) <4G1>	D
Crank angle sensor <4G1>	C	Oxygen sensor (Rear) <4G1>	E
Engine coolant temperature sensor <4G1>	B	Throttle position sensor <4G1>	A
Ignition failure sensor <4G1>	B	Vacuum sensor <4G1>	A

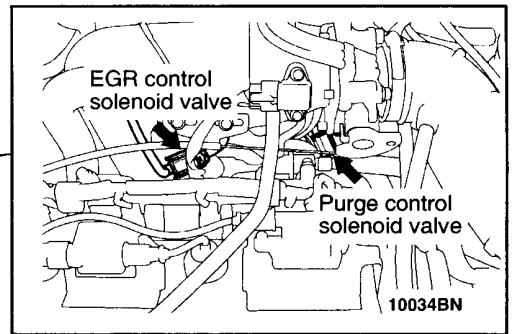
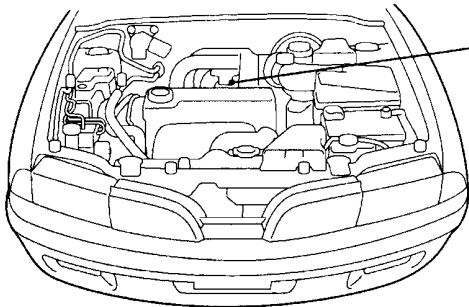
<4G1>



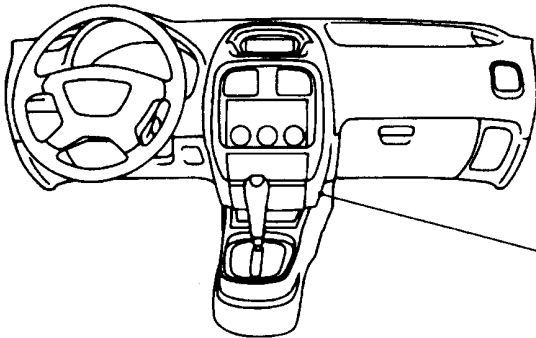


SOLENOID VALVE

<4G1>



DIODE



<4G1>

